

Copyright Information

Copyright © 2021 by SHENZHEN SMARTSAFE TECH CO.,LTD. All rights reserved. No part of this publication may be reproduced, stored in a retrieval system, or transmitted in any form or by any means, electronic, mechanical, photocopying, recording or otherwise, without the prior written permission of SMARTSAFE.

Neither SMARTSAFE nor its affiliates shall be liable to the purchaser of this unit or third parties for damages, losses, costs, or expenses incurred by purchaser or third parties as a result of: Accident, misuse, or abuse of this unit, or unauthorized modifications, repairs, or alterations to this unit, or failure to strictly comply with SMARTSAFE operating and maintenance instructions. SMARTSAFE shall not be liable for any damages or problems arising from the use of any options or any consumable products other than those designated as Original SMARTSAFE Products or SMARTSAFE Approved Products by SMARTSAFE.

All information, specifications and illustrations in this manual are based on the latest information available at the time of printing. SMARTSAFE reserves the right to make changes at any time without prior written or oral notice.

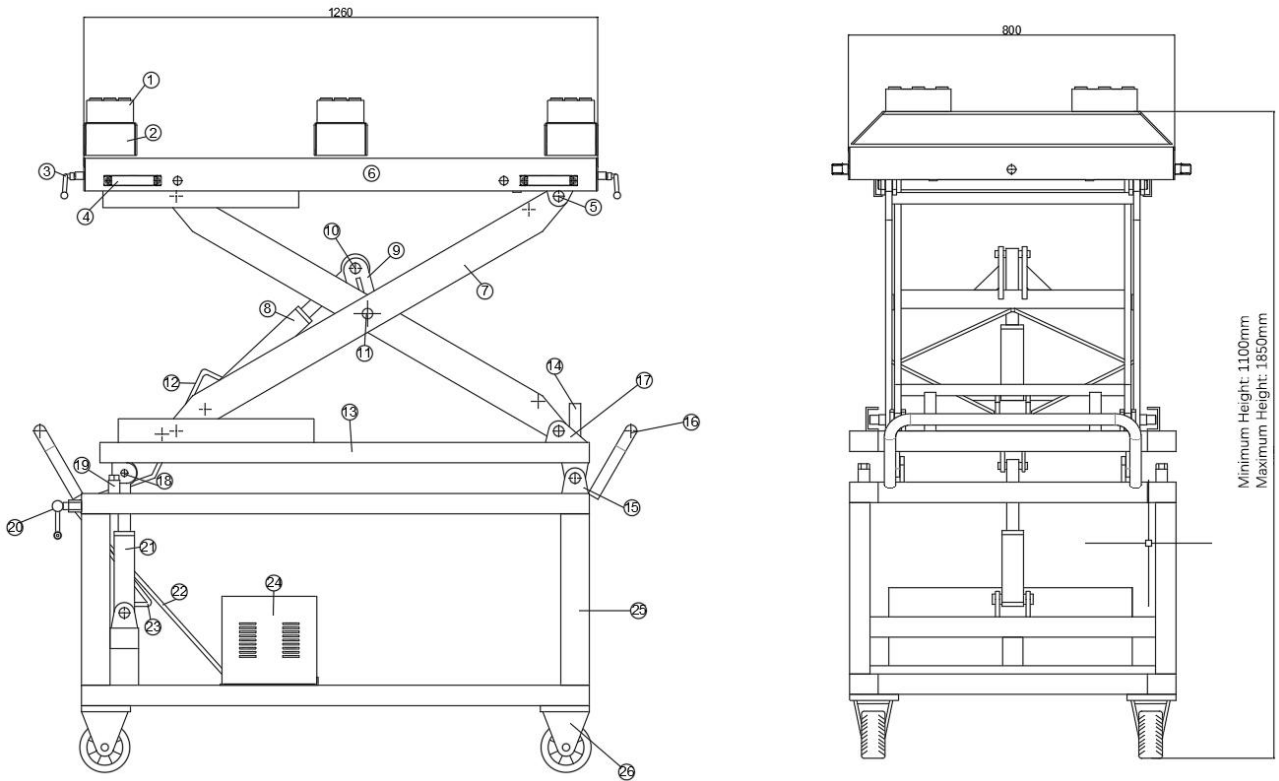
Trademark Information

SMARTSAFE is a registered trademark of SHENZHEN SMARTSAFE TECH CO.,LTD. in China and other countries. All other SMARTSAFE trademarks, service marks, domain names, logos, and company names referred to in this manual are either trademarks, registered trademarks, service marks, domain names, logos, company names of SMARTSAFE or are otherwise the property of SMARTSAFE or its affiliates. In countries where any of the SMARTSAFE trademarks, service marks, domain names, logos and company names are not registered, SMARTSAFE claims other rights associated with unregistered trademarks, service marks, domain names, logos, and company names. Other products or company names referred to in this manual may be trademarks of their respective owners. You may not use any trademark, service mark, domain name, logo, or company name of SMARTSAFE or any third party without permission from the owner of the applicable trademark, service mark, domain name, logo, or company name. You may contact SMARTSAFE by visiting the website at www.newsmartsafe.com, or writing to SHENZHEN SMARTSAFE TECH CO.,LTD., 3310, Building 11, Tianan Cloud Park, Bantian Street, Longgang District, Shenzhen, Guangdong, China, to request written permission to use Materials on this manual for purposes or for all other questions relating to this manual.

Contents

1. Product Diagram	1
2. Product Description	2
3. Technical Parameters :	2
4. Structure Description:	2
5. Installation and Debugging	2
6. Usage and Precautions	3
Warranty	4

1. Product Diagram



No.	Description	Qty.	No.	Description	Qty.
1	Insulation Adapter	6	2	Adapter Seat	3
3	Platform Adjust Handel	4	4	Handel	4
5	Shaft	4	6	Platform	1
7	Upper Scissor Bar	4	8	Cylinder1	1
9	Supporting Arm	2	10	Shaft	1
11	Shaft	1	12	Oil Tube1	1
13	Middle - Platform	1	14	Support Pin	2
15	Shaft Seat	1	16	Handrail	2
17	Shaft Seat	2	18	Shaft Seat	2
19	Supporting Arm	2	20	Valve	1
21	Cylinder2	1	22	Oil Tube2	1
23	Oil Tube3	1	24	Power Unit	1
25	Base Plate	1	26	Wheel	4

2. Product Description

iSmartEV LT150 Propulsion System Lift perfect accomplished multi needs of electric vehicles, can meet all workshop needs, and lifting capacity 1.5 tons Max, can match all maintenance and repair works required from customers.

3. Technical Parameters :

Lifting Capacity	1500kg
Platform Dimensions	1260*800mm
Maximum Lifting	1850mm
Minimum Height	1100mm
Lifting Time	45s
Power Supply	220V
Rated Power	0.75kw
Operating	Electro-Hydraulic

4. Structure Description:

iSmartEV LT150 new energy vehicle battery disassembly lift consists of bottom frame assembly, bottom frame assembly, inner and outer scissor arm assembly, panel assembly, side sliding panel assembly, hydraulic mechanism and motor, and the motor is fixed on the bottom frame assembly. The design is flexible and mobile for easy use. Electro-hydraulic drive, not only safe and reliable, but also easy to operate.

5. Installation and Debugging

Before installation, you should read the instruction manual carefully to understand the structure and principle of the machine, and then follow the steps below.

1. Check whether the package is complete. Open the carton to check the main unit, 2 armrests and 1 accessory box. The accessories box has 2 universal brake wheels, 2 directional wheels, 4 table top fixing bolts, 4 table top handles, and 1 manual.
2. Then install 4 casters, two universal brake wheels near the motor end and 2 fixed wheels at the other end.
3. Install 4 countertop fixing bolts, penetrate from the circular hole on the countertop, and then tighten the nuts; fix the 4 handles with firm screws.
4. This model is a movable table, which is convenient for screw alignment during battery disassembly and assembly, and can be adjusted within a range of 30mm from front to back, left and right. When

the fixed bolt is pressed (Fig.1), the table is locked; when the fixed bolt is opened(Fig.2), the table can be moved.



Fig.1



Fig.2

5. Inject 4 liters of 46# anti-wear hydraulic oil into the oil filling port of the power unit oil tank (filled at the factory).
6. Connect the power cord, and make sure that the voltage corresponding to the machine is 220V when wiring.
7. Press the up button, start the motor, and the lift will rise to the appropriate height required.
8. Apply grease on the connecting shaft and the movable parts of the scissor arm, and lift it twice to ensure smoothness before use.

6. Usage and Precautions

1. Lower the lift to the bottom height and push it under the car that has been raised to the working height.
2. Align it with the load-bearing part of the car battery for stability.
3. Press the up button, the pump station rotates, the upper oil cylinder moves, the scissor arm rises by itself, and the side slide panel rises to the working position. Pay attention to whether the supporting part of the car battery is reliable, and whether the car is in a horizontal state, and then continue to operate after confirming that it is correct.
4. The switching valve controls the lifting of the upper and lower oil cylinders; press the up button, the pump station rotates, the oil cylinder moves, and the scissor arm rises or tilts according to the body; press the down button, the body descends with the oil cylinder to the lowest height.
5. Overload work is prohibited. When the lifting sound is abnormal or cannot be started, it should stop working, find out the reason, and eliminate the fault before continuing to use it.
6. Regularly add grease to the parts that need to be greased
7. The hydraulic oil should be replaced after three months of operation, and once a year thereafter.

Warranty

THIS WARRANTY IS EXPRESSLY LIMITED TO PERSONS WHO PURCHASE SMARTSAFE PRODUCTS FOR PURPOSES OF RESALE OR USE IN THE ORDINARY COURSE OF THE BUYER'S BUSINESS.

SMARTSAFE electronic product is warranted against defects in materials and workmanship for one year from date of delivery to the user.

This warranty does not cover any part that has been abused, altered, used for a purpose other than for which it was intended, or used in a manner inconsistent with instructions regarding use. The exclusive remedy for any automotive meter found to be defective is repair or replacement, and SMARTSAFE shall not be liable for any consequential or incidental damages.

Final determination of defects shall be made by SMARTSAFE in accordance with procedures established by SMARTSAFE. No agent, employee, or representative of SMARTSAFE has any authority to bind SMARTSAFE to any affirmation, representation, or warranty concerning SMARTSAFE automotive meters, except as stated herein.

Disclaimer

The above warranty is in lieu of any other warranty, expressed or implied, including any warranty of merchantability or fitness for a particular purpose.

Purchase Order

Replaceable and optional parts can be ordered directly from your SMARTSAFE authorized dealer. Your order should include the following information:

- Order quantity
- Part number
- Part name

Statement:

SMARTSAFE reserves the rights to make any change to product designs and specifications without notice. The actual object may differ a little from the descriptions in the manual in physical appearance, color and configuration. We have tried our best to make the descriptions and illustrations in the manual as accurate as possible, and defects are inevitable, if you have any question, please contact local dealer or after-sale service center of SMARTSAFE, SMARTSAFE does not bear any responsibility arising from misunderstandings.

Maintenance Record

Model: _____ S/N: _____ Date: _____

Date	Issue	Result	Fee	Signature

Certificate

Name : Propulsion System Lift

Model : iSmartEV LT150

Manufacture Date : _____

Inspection Date : _____

Inspector : _____

This product has passed the inspection and is allowed to leave the factory.

Product Warranty Registration Card (Original)

Brand :	Model :		
S/N :	Out Going Date :		
Purchased Date :			
Seller (Effective Seal)	Name :		
	Add :		
	Contact :	Fax :	
	Contact Person :		
Buyer (Effective Seal)	Name :		
	Add :		
	Contact :	Fax :	
	Contact Person :		

Note:

1. The warranty period is one year from the date of purchase.
2. Please do the daily maintenance and maintenance of the product as required.
3. Man-made damage is not covered by the warranty, and maintenance will be charged separately according to the regulations.
4. A copy of this card should be sent back to the manufacturer for archives.

Product Warranty Registration Card (Copy)

Brand :	Model :		
S/N :	Out Going Date :		
Purchased Date :			
Seller (Effective Seal)	Name :		
	Add :		
	Contact :	Fax :	
	Contact Person :		
Buyer (Effective Seal)	Name :		
	Add :		
	Contact :	Fax :	
	Contact Person :		

Note:

1. The warranty period is one year from the date of purchase.
2. Please do the daily maintenance and maintenance of the product as required.
3. Man-made damage is not covered by the warranty, and maintenance will be charged separately according to the regulations.
4. A copy of this card should be sent back to the manufacturer for archives.